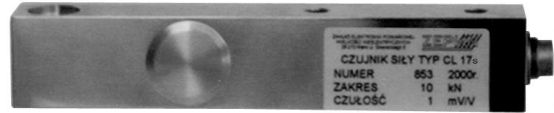


Weight load cell CL 17Ms

- High accuracy
- Compressive load
- Insensitive against out of alignment of force load
- Thin shape
- Three year warranty and after market service



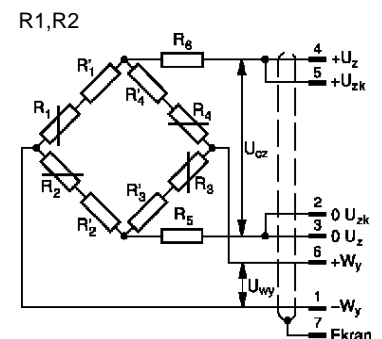
Weight load cell CL 17Ms has been designed for constructing weighing systems with one or several transducers. The CL 17Ms sensor allows with ZEPWN instrumentation to reach the measurement accuracy on the level of class 3 OIML. The sensor is working compressive. The conversion of measured load is realized due to an aluminium or steel spring element with strain gauge full bridge. The bridge is balanced and thermal compensated. Conversion elements are made of stainless steel or carbon steel, which is secured against corrosion with electrolytic coating. For electrical protection IP68 the sensor is equipped with stuffing on connection cable.

Specifications:

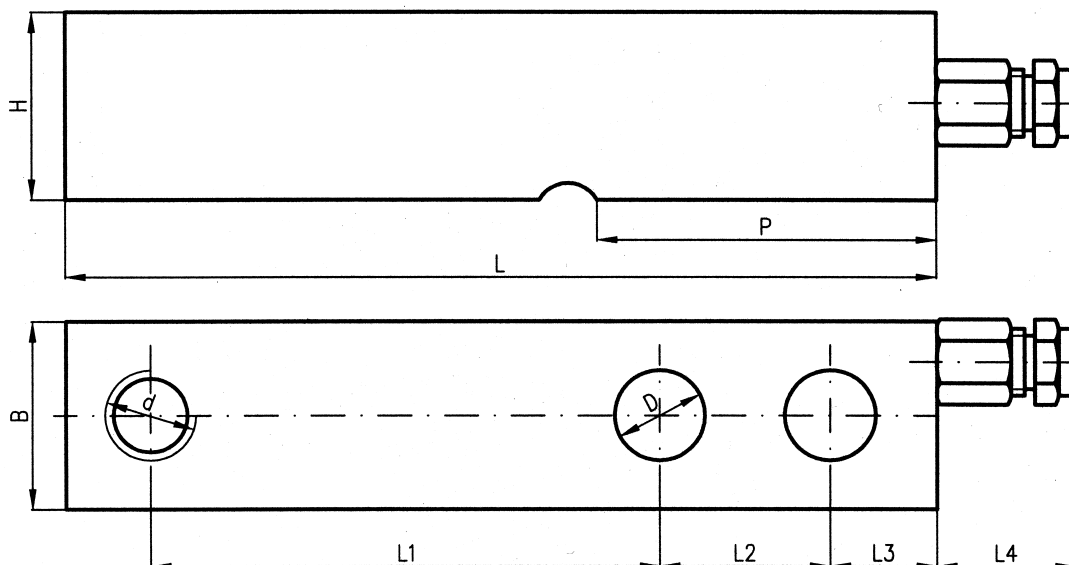
Range	[t]	0,5; 1, 2, 5, 10
Accuracy class		C3 [d. OIML] 3000
Cumulative pitch error	[%]	0,018
Signal of unbalance	[%]	±2
Signal of unbalance from zero after nominal load take away (30 min)	[%]	≤0,02
Drift of output signal by nominal load (30 min)	[%]	≤0,03
Temperature effect on the signal of unbalance	[%/10 K]	≤0,02
Temperature effect on the sensitivity	[%/10 K]	≤0,02
Nominal supply voltage	[V]	10
Nominal sensitivity	[mV/V]	1 or 2
Input resistance up to 1 t	[Ω]	420 ± 25
Output resistance	[Ω]	350 ± 5
Overload capacity	[%]	150
Operating temperature	[°C]	-20 ÷ 80
Compensation temperature	[°C]	0 ÷ 90
Maximal strain	[mm]	0,5
Connector		O1 – O-ring gland
Protection degree		IP66
Insulation resistance	[GΩ]	1
Material		steel
Cable length		0,5 m (standard) or other optional

Designations and cable outlets

1 brown	-W _y
2 pink	0 U _{zk}
3 white	0 U _z
4 yellow	+U _z
5 grey	+U _{zk}
6 green	+W _y
7 black	shield



Weight load cell CL 17Ms



Range t	B	H	L	L1	L2	L3	L4	P	D	d
	mm									
0,5	28	24	136	82,4	24,6	16,5	20	50	12,5	M12
1	28	24	136	82,4	24,6	16,5	20	60	12,5	M12
2	28	24	136	82,4	24,6	16,5	20	60	12,5	M12
5	38	38	171	95,3	38,1	19,0	20	60	18,5	18,5
10	48	48	171	95,3	38,1	19,0	20	70	20,5	20,5

Quality assurance

Each sensor is detailed examined after manufacturing process.

The manufacturer offers 36 month warranty for the sensor and after that time also repair and calibration services.

Options:

Range [t]: 0,5; 1; 2; 5; 10

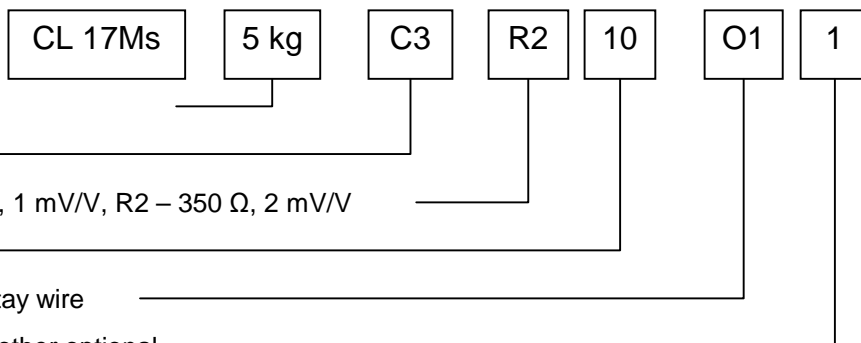
Accuracy class: C3

Configuration: R1 – bridge 350Ω, 1 mV/V, R2 – 350 Ω, 2 mV/V

Supply voltage: 10 V

Connectors: O1 – stuffing with stay wire

Cable length: standard 0,5 m or other optional



Example of options for ordering

CL 17Ms – 5 kg – C3 – R2 – 1- O1 – 1: sensor with dimensions as in table, range 5 kg; accuracy C3; strain gauge bridge 350 Ω, 2 mV/V; connector as stuffing on cable; cable length 1 m.

Manufacturer:

Zakład Elektroniki Pomiarowej Wielkości Nielektrycznych, 05-270 Marki, ul. Kołtątaja 8

tel./fax 004822. 781 21 69, 771 24 11, e-mail: zepwn@zepwn.com.pl, <http://www.zepwn.com.pl>