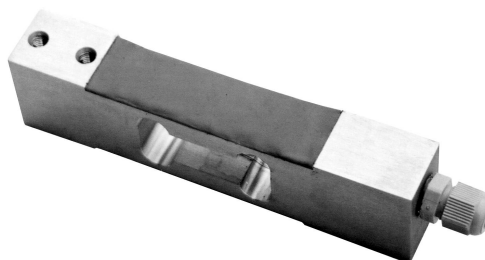


Force sensor CL 17p

- High accuracy and reliability
- Tensile / compressive forces
- Simple assambling
- Thin shape
- Insensitive against out of alignment forces
- Three year warranty and after market service



Force sensor CL 17p has been designed for measuring force in low range. It's very comfortable in use, when the thin shape of sensor is essential. CL17p can be load bidirectional.

The conversion of measured load is realized due to aluminium or steel spring element with strain gauge full bridge. The bridge is balanced and thermal compensated.

The sensor CL 17p in configuration R1, R2 has the strain gauge bridge 350 Ω with sensitivity 1 mV/V or 2 mV/V.

For electrical protection IP40 the sensor has attached a connector.

For electrical protection IP68 the sensor is equipped with stuffing on connection cable.

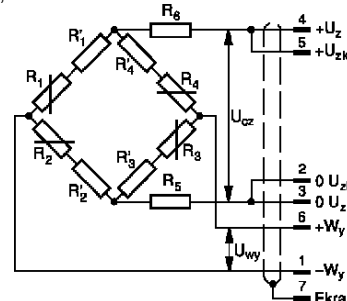
Specifications:

Range [kN]:	0,01; 0,02; 0,05; 0,1; 0,2; 0,5; 1; 2; 5
Accuracy:	0,05 or 0,1
Signal of unbalance [%]:	±2
Signal of unbalance from zero afer nominal load take away (30 min) [%]:	0,03
Drift of output signal by nominal load (30 min) [%]:	0,03
Temperature effect on the signal of unbalance [%/10 K]:	0,05
Temperature effect on the sensitivity [%/10 K]:	0,05
Nominal supply voltage [V]:	10
Nominal sensitivity [mV/V]:	1 or 2
Input resistance [W]:	410 ± 10
Output resistance [W]:	350 ± 5
Overload capacity [%]:	150
Operating temperature [°C]:	-20 ÷ 80
Compensation temperature [°C]:	0 ÷ 90
Nominal strain [mm]:	0,5
Connectors:	O1 – O-Ring gland
Protection degree:	IP40, IP67
Insulation resistance [GW]:	1
Material:	aluminium
Cable length:	0,5 m (standard) or other optional

Designations and cable outlets

1 brown	-W _y
2 pink	0 U _{zk}
3 white	0 U _z
4 yellow	+U _z
5 grey	+U _{zk}
6 green	+W _y
7 black	shield

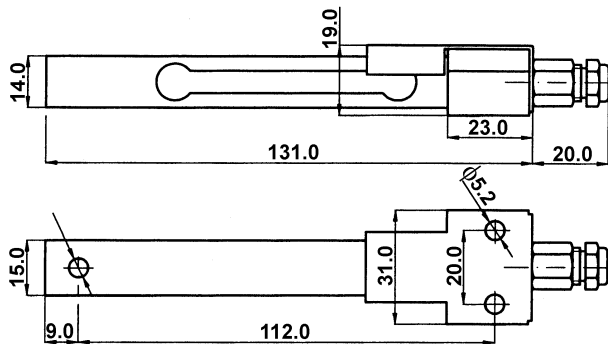
R1,R2



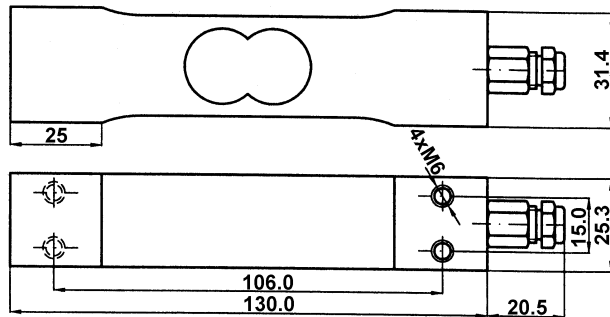
Force sensor CL 17p

Dimensions:

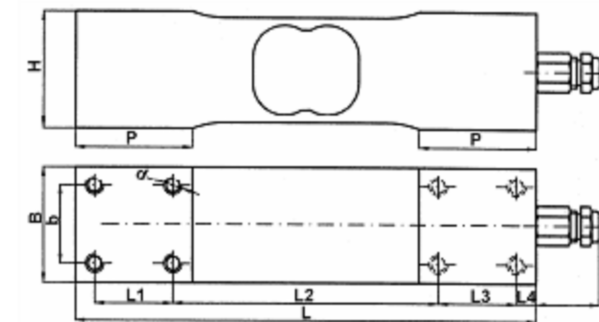
Range: 0,01; 0,02 kN



Range: 0,05; 0,1; 0,2; 0,5; 1 kN



Range 2; 5 kN



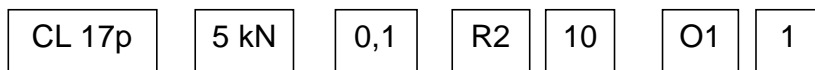
Zakres (kN)	B	H	L	L1	L2	L3	L4	P	b	d
2; 5	40	59	188	35	107	35	5,5	46	50	M8

Quality assurance

Each sensor is detailed examined after manufacturing process.

The manufacturer offers 36 month warranty for the sensor and after that time also repair and calibration services.

Options:



Range [kN]: 0,01; 0,02; 0,05; 0,1 0,2; 0,5; 1; 2; 5

Accuracy class: 0,05; 0,1

Configuration: R1 – bridge 350Ω, 1 mV/V, R2 – 350 Ω, 2 mV/V

Supply voltage: 10 V

Connectors: Z1 – Lumberg DIN 45329; O1 – stuffing with stay wire

Cable length: standard 0,5 m or other optional

Example of options for ordering

CL 17p – 5 kN – 0,1 – R2 – 1- O1 – 1: sensor with dimensions as in table, range 5 kN; accuracy 0,1; strain gauge bridge 350 Ω, 2 mV/V; connectors as stuffing on cable; cable length 1 m.

Manufacturer

Zakład Elektroniki Pomiarowej Wielkości Nielektrycznych, 05-270 Marki, ul. Kołtątaja 8
tel./fax: 004822. 7812169, 7712411, e-mail: zepwn@zepwn.com.pl, <http://www.zepwn.com.pl>