

Weight load cell CL 18M

- High accuracy
- Compressive working
- High stability and repeatability
- Three year warranty and after market service

Weight load cell CL 18M has been designed for weighing systems with single or several transducers. Together with the ZEPWNN electronic instrumentation allows to take measurements with C3 accuracy.



The load cell can work compressive. The conversion of measured load is realized due to an aluminium or steel spring element with strain gauge full bridge. The bridge is balanced and thermal compensated.

Conversion elements are made of stainless steel or carbon steel, which is secured against corrosion with electrolytic coating.

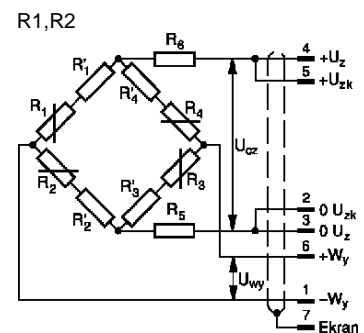
For electrical protection IP40 the sensor is equipped with connectors and for IP66 the sensor is equipped with stuffing on connection cable.

Specifications:

| | | |
|---|------------|---|
| Range | [t]: | 1, 2, 5, 10, 20, 50, 100, 200, 300, 500, 1000 |
| Accuracy | | C3 |
| Cumulative pitch error | [%] | 0,018 |
| Signal of unbalance | [%] | ± 2 |
| Signal of unbalance from zero after nominal load take away (30 min) | [%] | ≤ 0,03 |
| Zero point deviation | [%/30 min] | ≤ 0,03 |
| Temperature effect on the sensitivity | [%/10K] | ≤ 0,05 |
| Temperature effect on the signal of unbalance | [%/10K] | ≤ 0,05 |
| Nominal supply voltage | [V] | 10 |
| Sensitivity | [mV/V] | 1 - R1, 2 - R2 |
| Input resistance | [Ω] | 730 ± 25 |
| Output resistance | [Ω] | 700 ± 5 |
| Overload capacity | [%] | 150 |
| Operating temperature | [°C] | -20 ÷ 100 |
| Compensation temperature | [°C] | 0 ÷ 90 |
| Maximal strain | [mm] | 0,5 |
| Connectors | | Z1 – LUMBERG or O1 – O-ring gland |
| Protection degree | | IP40, IP66 |
| Dimensions | | as in table |
| Material | | steel |
| Cable length | | 0,5 (standard) or other optional |

Designations and cable outlets

| | |
|----------|-------------------|
| 1 brown | -W _y |
| 2 pink | 0 U _{zk} |
| 3 white | 0 U _z |
| 4 yellow | +U _z |
| 5 grey | +U _{zk} |
| 6 green | +W _y |
| 7 black | shield |

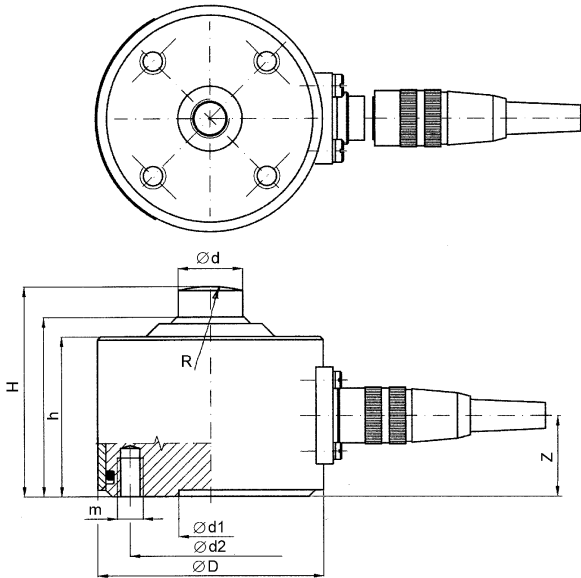


Weight load cell CL 18M

Quality assurance

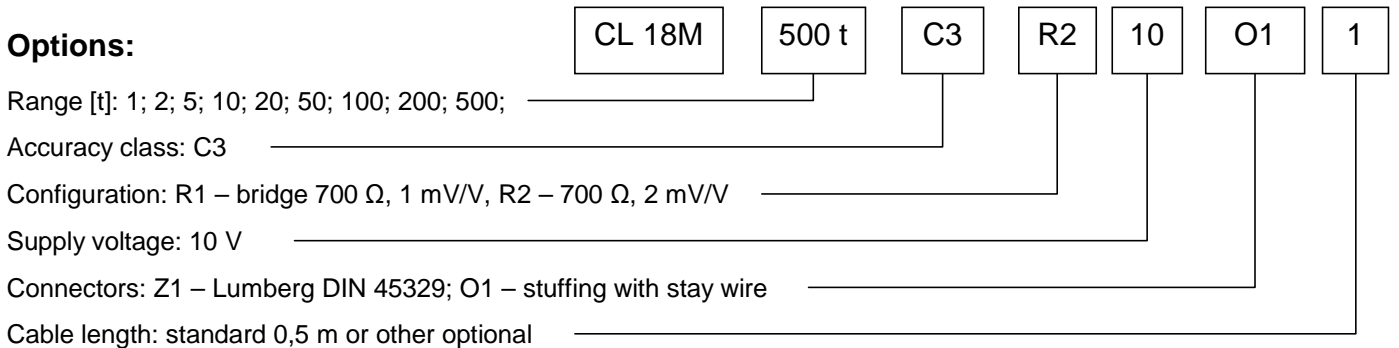
Each sensor is detailed examined after manufacturing process.

The manufacturer offers 36 month warranty for the sensor and after that time also repair and calibration services.



| Range | H | D | d | d1 | d2 | h | m | Z | R |
|-------|---|----|----|----|----|------|-----|----|----|
| t | mm | | | | | | | | |
| 1 | 65 | 70 | 20 | 20 | 50 | 49,5 | M8* | 25 | 40 |
| 2 | 65 | 70 | 20 | 20 | 50 | 49,5 | M8* | 25 | 40 |
| 5 | 65 | 70 | 20 | 20 | 50 | 49,5 | M8* | 25 | 40 |
| 10 | 80 | 70 | 46 | 20 | 50 | 68,5 | M8* | 25 | 80 |
| 20 | 80 | 70 | 46 | 20 | 50 | 68,5 | M8* | 25 | 80 |
| 50 | 80 | 70 | 46 | 20 | 50 | 68,5 | M8* | 25 | 80 |
| 100* | * Dimensions individually agreed with Customer Recommended are joints PCL 18 | | | | | | | | |
| 200* | | | | | | | | | |
| 300* | | | | | | | | | |
| 400* | | | | | | | | | |
| 500* | | | | | | | | | |
| 1000* | | | | | | | | | |

Options:



Example of options for ordering

CL 18M – 500 t – C3 – R2 – 10- O1 – 1: sensor with dimensions as in table, range 500 t; accuracy C3; strain gauge bridge 700 Ω, 2 mV/V; as connector a stuffing with stay wire; cable length 1 m

Manufacturer

Zakład Elektroniki Pomiarowej Wielkości Nielektrycznych, 05-270 Marki, ul. Kołtątaja 8
tel./fax: 004822. 7812169, 7712411, e-mail: zepwn@zepwn.com.pl, <http://www.zepwn.com.pl>